

# SALES & ENGINEERING DATA

RATIO SERIES: **3:1**

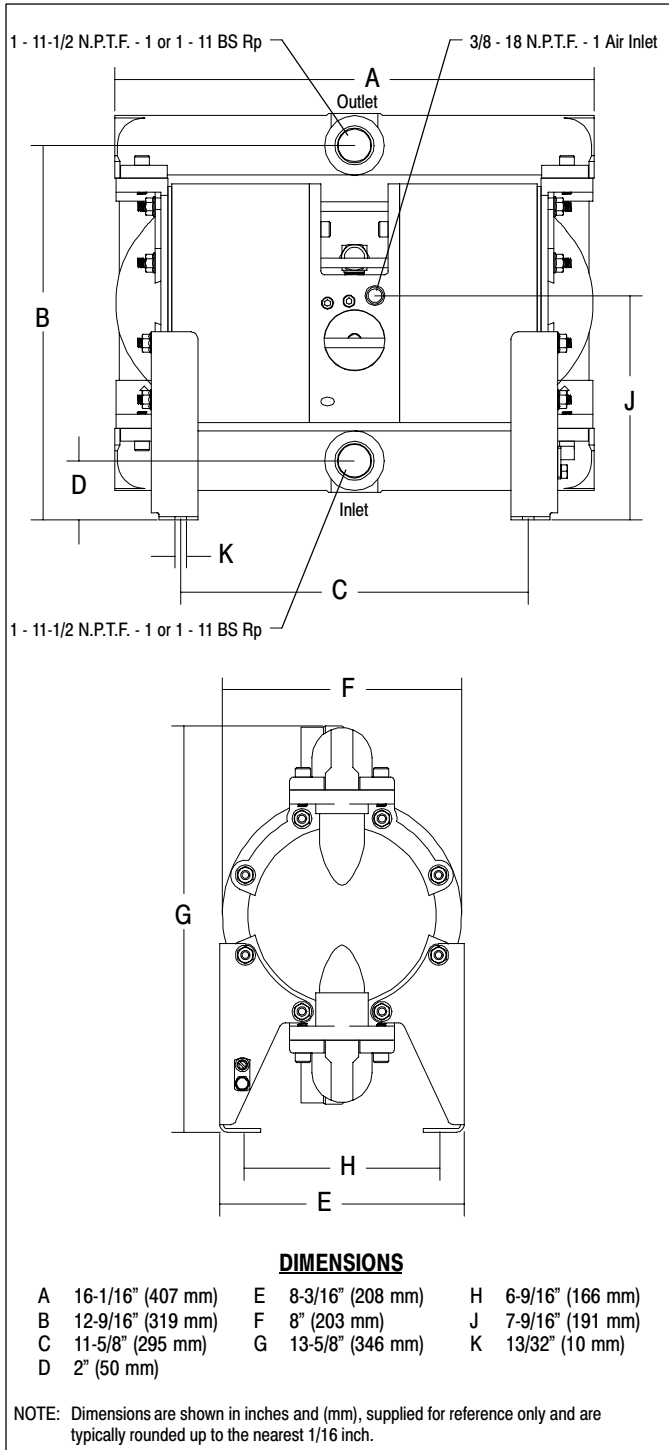
FLUID P.S.I. RANGE: **60 - 300**

## PH10A-XSS-XXT

### 1" HIGH PRESSURE METALLIC DIAPHRAGM PUMP

RELEASED: 7-7-00  
 REVISED: 3-8-01  
 S-1193

#### DIMENSIONAL DATA



#### SPECIFICATIONS

##### CONSTRUCTION

**Model Series** ..... PH10A-XSS-XXT  
**Pump Type** ..... Metallic, Air Operated, High Pressure, Double Diaphragm  
**Ratio** ..... 3:1  
**Material Inlet / Outlet (female)**  
 for models PH10A-ASS-XXT ..... 1 - 11-1/2 N.P.T.F. - 1  
 for models PH10A-BSS-XXT ..... 1 - 11 BS Rp  
**Air Inlet** ..... 3/8 - 18 N.P.T.F. - 1  
**Air Exhaust** ..... 3/8 - 18 N.P.T.  
**Weight** ..... 94.73 lbs (42.97 kgs)  
**Air Section Service Kit** ..... 637338  
**Fluid Section Service Kit**  
 for models PH10A-XSS-XHT ..... 637339-1  
 for models PH10A-XSS-XST ..... 637339

##### PERFORMANCE

**Air Inlet Pressure Range** ..... 20 - 100 p.s.i. (1.4 - 6.9 bar)  
**Fluid Pressure Range** ..... 60 - 300 p.s.i. (4.1 - 20.7 bar)  
**Maximum Flow Rate (Flooded Inlet)** ..... 26 g.p.m. (98.4 l.p.m.)  
**Maximum Particle Size** ..... 1/8" dia. (3.2 mm)  
**Maximum Temperature Limits** ..... 35° to 220° F (2° to 104° C)  
**Displacement / Cycle @ 100 p.s.i.** ..... 0.06 gal. (.23 lit.)  
**Noise Level @ 70 p.s.i. - 60 c.p.m.**① . 84.5 db(A)②

##### Notes:

- ① Tested with 93110 muffler installed.
- ② The pump sound pressure level has been updated to an Equivalent Continuous Sound Level ( $L_{Aeq}$ ) to meet the intent of ANSI S1. 13-1971, CAGI-PNEUROP S5.1 using four microphone locations.

##### ACCESSORIES:

66073-1 Air Line Connection Kit



# PERFORMANCE CURVES

## PH10A-XSS-XXT 1" HIGH PRESSURE METALLIC DIAPHRAGM PUMP

