

# SALES & ENGINEERING DATA

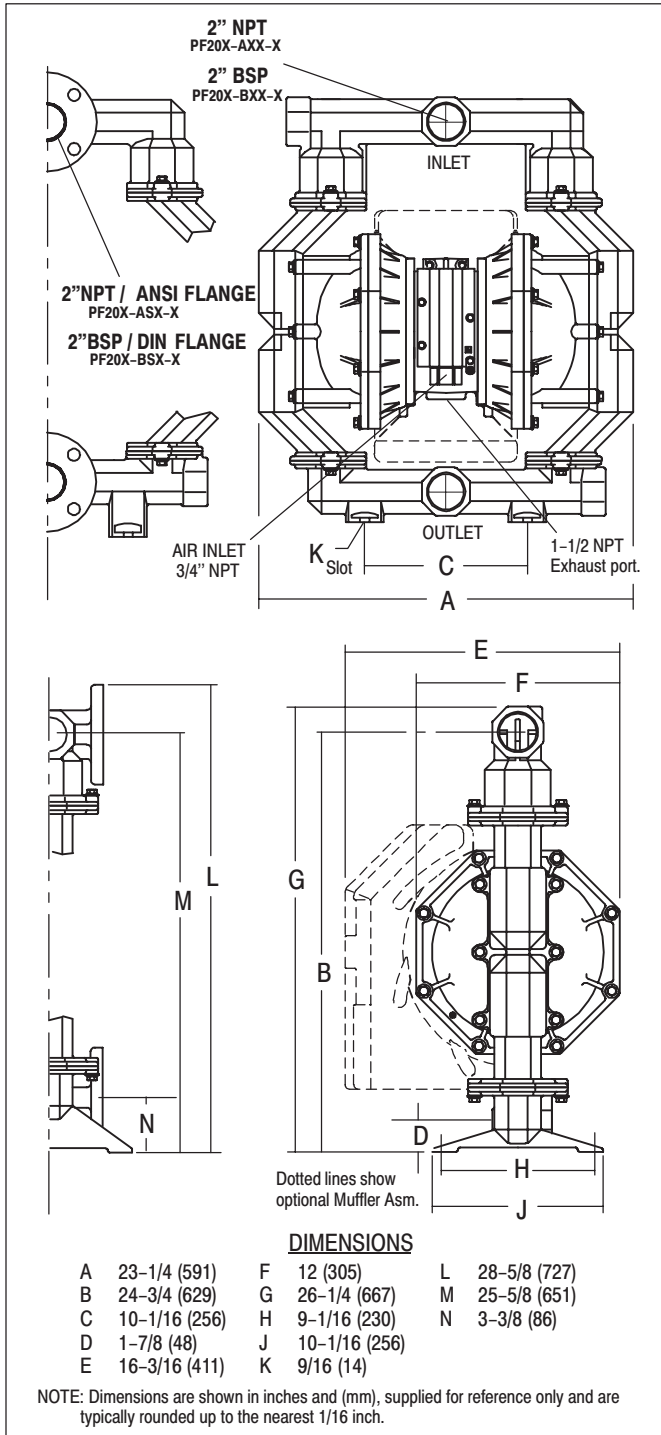
RATIO SERIES: **1:1**

FLUID PSI RANGE: **20 - 120**

## PF20X-XXX-XXX 2" METALLIC FLAP VALVE DIAPHRAGM PUMP

RELEASED: 6-17-96  
REVISED: S-854

### DIMENSIONAL DATA



### SPECIFICATIONS

#### CONSTRUCTION

**Model Series** ..... PF20X-XXX-XXX  
**Pump Type** ..... Metallic, Air Operated, Flap Valve, Double Diaphragm  
**Ratio** ..... 1:1  
**Material Inlet / Outlet** ..... 2" NPTF-1(f), BSP (f) or Flange  
**Air Inlet** ..... 3/4" NPTF-1(f)  
**Air Exhaust** ..... 1-1/2" X 11 NPTF-1(f)  
**Weight** ..... Aluminum - 74 Lbs (34 Kgs)  
 (add 34 Lbs (15 Kgs) for S'Stl / CI Air Motor Section) Cast Iron - 161 Lbs (73 Kgs)  
 S'Stl - 188 Lbs (85 Kgs)  
**Air Section Service Kit** ..... 637302  
**Fluid Section Service Kit** ..... 637310-XX

PF20X-XXX-X    
 637310 -    
 Diaphragm Material  
 Ball Material

EXAMPLE: Model #PF20A-AAP-AAA  
 Fluid Section Service Kit is 637310-AA

#### PERFORMANCE

**Air Inlet Pressure Range** ..... 20 - 120 PSI (1 - 8.3 bar)  
**Fluid Pressure Range** ..... 20 - 120 PSI (1 - 8.3 bar)  
**Max. Flow Rate (Flooded Inlet)** ..... 170 g.p.m. (644 lpm)  
**Max. Particle Size** ..... 2" dia. (50 mm) semi-solids  
**Max. Temperature Limits** ..... 200°F (93°C)  
**Displacement / Cycle @ 100 psi** 1.4 Gal (5.3 lpm)  
**Noise Level @ 70 Psi - 60 Cpm** 85.0 db(A)②

#### Notes:

① Tested with 94085 Muffler installed.

② The pump sound pressure level has been updated to an Equivalent Continuous Sound Level (L<sub>Aeq</sub>) to meet the intent of ANSI S1. 13-1971, CAGI-PNEUROP S5.1 using four microphone locations.

#### ACCESSORIES:

66312 Air line Connection Kit  
 94085 Cont. Muffler Asm.  
 94117 Int. Muffler

**ARO**

INGERSOLL-RAND COMPANY  
 ONE ARO CENTER • BRYAN, OHIO 43506-0151

☎ (419) 636-4242 • FAX (419) 633-1674

©1996 • PRINTED IN U.S.A.

**INGERSOLL-RAND**  
**FLUID PRODUCTS**

# PERFORMANCE CURVES

## PF20X-XXX-XXX 2" METALLIC FLAP VALVE DIAPHRAGM PUMP

