

# SALES & ENGINEERING DATA

RATIO SERIES: **1:1**

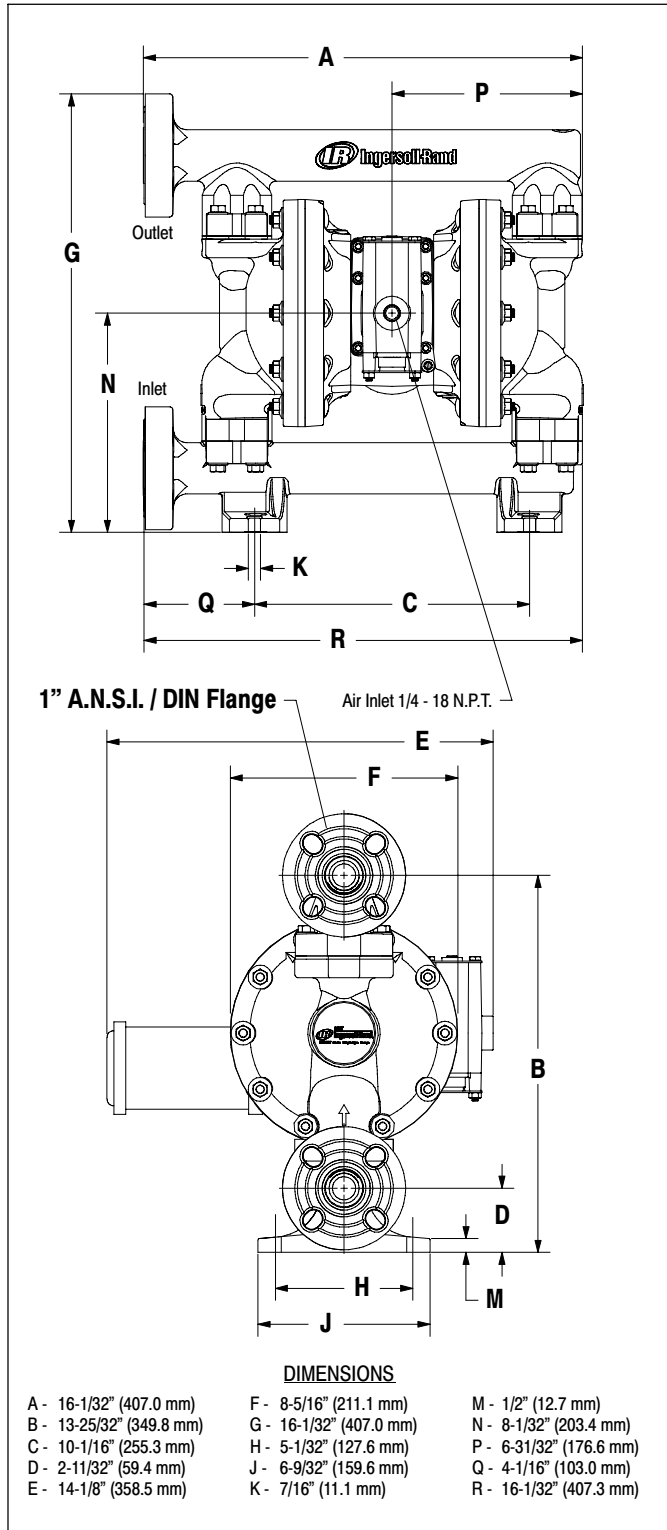
FLUID P.S.I. RANGE: **20 - 120**

RELEASED: 6-15-05  
 REVISED: 6-5-06  
 (REV. 02) S-1371

## PD10E-FES-PXX

### 1" CONDUCTIVE NON-METALLIC DIAPHRAGM PUMP

#### DIMENSIONAL DATA



#### SPECIFICATIONS

##### CONSTRUCTION

Model Series	PD10E-FES-PXX
Pump Type	Non-Metallic, Air Operated, Double Diaphragm
Ratio	1:1
Material Inlet / Outlet	1" A.N.S.I. / DIN Flange
Air Inlet (female)	1/4 - 18 N.P.T.
Air Exhaust (female)	3/4 - 14 N.P.T.
Weight	20.41 lbs (9.26 kgs)
Air Section Service Kit	637397
Major Air Valve Assembly	637395-7
Fluid Section Service Kit	637396-XX

**PD10E-FES-P**    
**637396 -**    
 Diaphragm Material  
 Ball Material

EXAMPLE: Model # PD10E-FES-PAA  
 Fluid Section Service Kit is 637396-AA

##### PERFORMANCE

Air Inlet Pressure Range	20 - 120 p.s.i. (1.4 - 8.3 bar)
Maximum Material Inlet Pressure	10 p.s.i. (0.69 bar)
Fluid Pressure Range	20 - 120 p.s.i. (1.4 - 8.3 bar)
Maximum Flow Rate (flooded inlet)	53.0 g.p.m. (200.6 l.p.m.)
Displacement / Cycle @ 100 p.s.i.	0.226 gal. (0.86 lit.)
Maximum Particle Size	1/8" dia. (3.2 mm)
<b>Maximum Temperature Limits (diaphragm / ball / seal material)</b>	
E.P.R. / EPDM	-60° to 280° F (-51° to 138° C)
Hytrel	-20° to 150° F (-29° to 66° C)
Nitrile	10° to 180° F (-12° to 82° C)
Polypropylene	35° to 150° F (2° to 66° C)
Santoprene	-40° to 225° F (-40° to 107° C)
T.F.E. (Teflon)	40° to 225° F (4° to 107° C)
Viton	-40° to 350° F (-40° to 177° C)
Noise Level @ 70 p.s.i. - 60 c.p.m.	79.7 db(A) <sup>①</sup>

① The pump sound pressure level has been updated to an Equivalent Continuous Sound Level (L<sub>Aeq</sub>) to meet the intent of ANSI S1. 13-1971, CAGI-PNEUROP S5.1 using four microphone locations.

# PERFORMANCE CURVES

## PD10E-FES-PXX 1" CONDUCTIVE NON-METALLIC DIAPHRAGM PUMP

