

SALES & ENGINEERING DATA

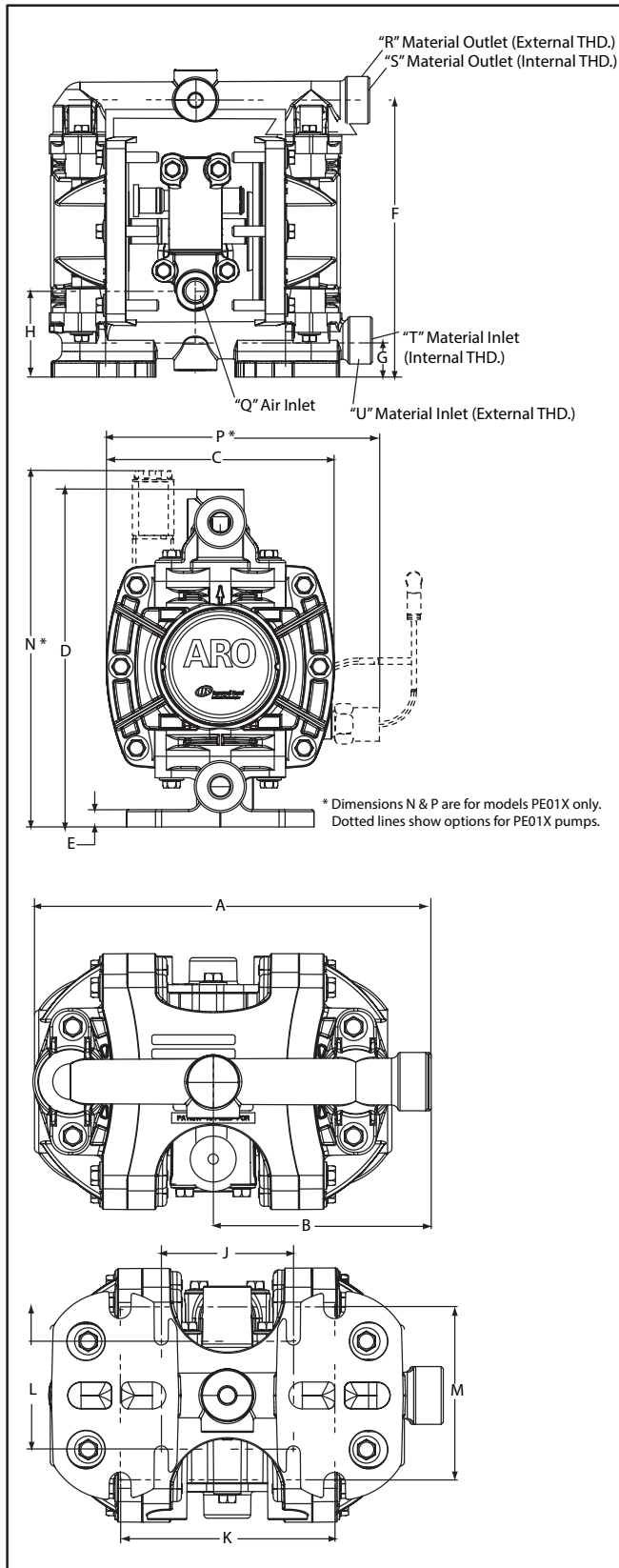
RATIO SERIES: **1:1**

FLUID P.S.I. RANGE: **10 - 125**

RELEASED: **3-7-13**
(REV. A)

PX01X-XXX-XXX-AXXX 1/4" DIAPHRAGM PUMP

DIMENSIONAL DATA



SPECIFICATIONS

Model Series PD01X-XXX-XXX-AXXXX, PE01X-XXX-XXX-AXXX
Pump Type.. Non-Metallic Air Operated Double Diaphragm
Ratio 1:1
Air Inlet Q - 1/4 - 18 PTF SAE Short
Weight Polypropylene..... 2.86 lbs (1.30 kgs)
 PVDF..... 3.88 lbs (1.76 kgs)
 Acetal..... 3.52 lbs (1.60 kgs)

PERFORMANCE

Maximum Air Inlet Pressure 125 psig (8.6 bar)
Minimum Air Inlet Pressure 10 psig (0.69 bar)
Maximum Outlet Pressure 125 psig (8.6 bar)
Maximum Flow Rate 5.3 gpm (20 lpm)
Maximum Material Inlet Pressure.... 10 psig (0.69 bar)
Displacement / Cycle @ 125 p.s.i.g .. 0.019 gal / 0.072 ltrs
Maximum Particle Size 1/16" dia.(1.6 mm)
Maximum Temperature Limits (diaphragm / ball / seat material)
 Acetal..... 10° to 180° F (-12° to 82° C)
 E.P.R. / EPDM..... -60° to 280° F (-51° to 138° C)
 Kynar® PVDF..... 10° to 200° F (-12° to 93° C)
 Hytrel® -20° to 150° F (-29° to 66° C)
 Neoprene 0° to 200° F (-18° to 93° C)
 Nitrile® 10° to 180° F (-12° to 82° C)
 Polypropylene..... 35° to 175° F (2° to 79° C)
 Viton® -40° to 350° F (-40° to 177° C)
 Santoprene®..... -40° to 225° F (-40° to 107° C)
 PTFE..... 40° to 225° F (4° to 107° C)

Noise Level @ 70 p.s.i., 60 c.p.m..... 62.3 db(A)①

① The pump sound pressure levels published here have been updated to an Equivalent Continuous Sound Level (L_{Aeq}) to meet the intent of ANSI S1.13-2005, CAGI-PNEUROP S5.1.

Mounting Adapter Plate Optional Accessory Kit (24123879) available. Please contact your nearest **ARO / Ingersoll Rand** customer service or distributor for details.

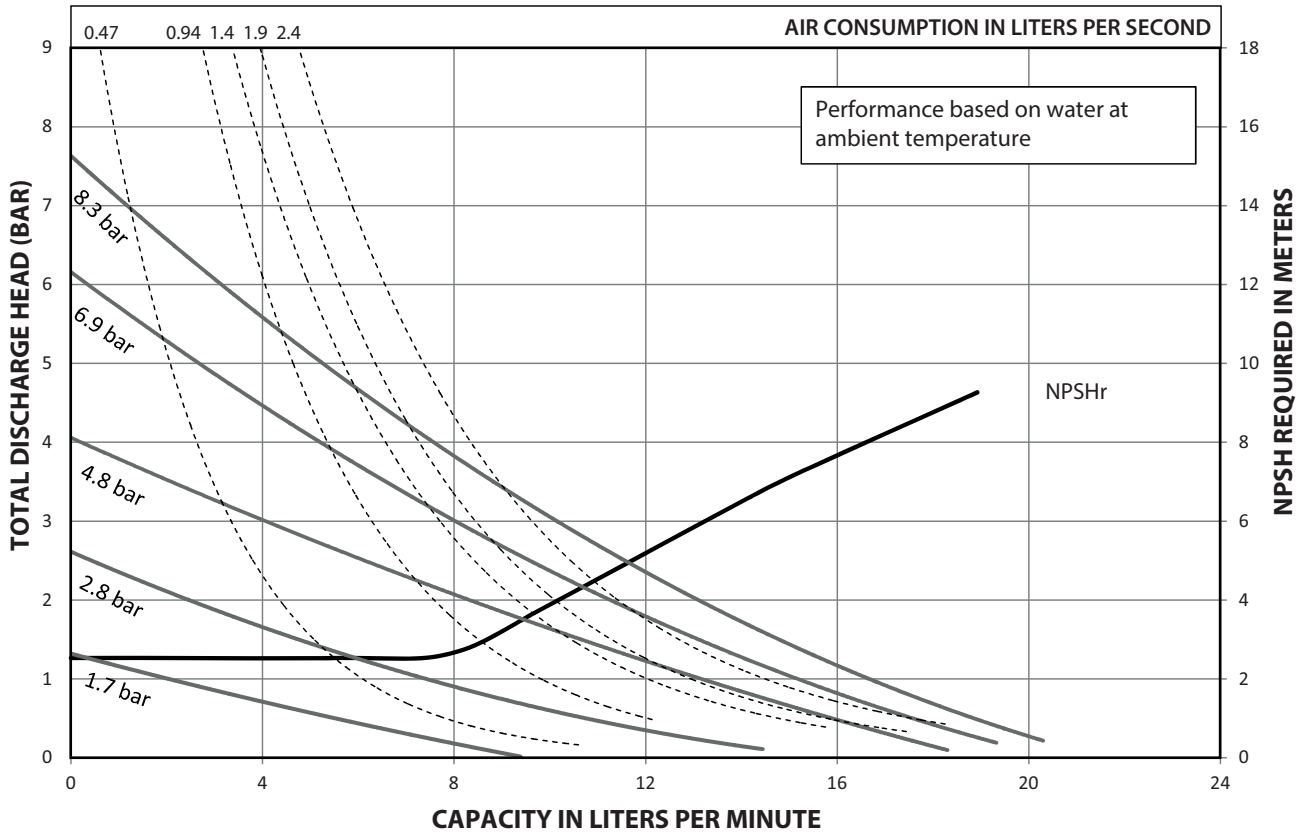
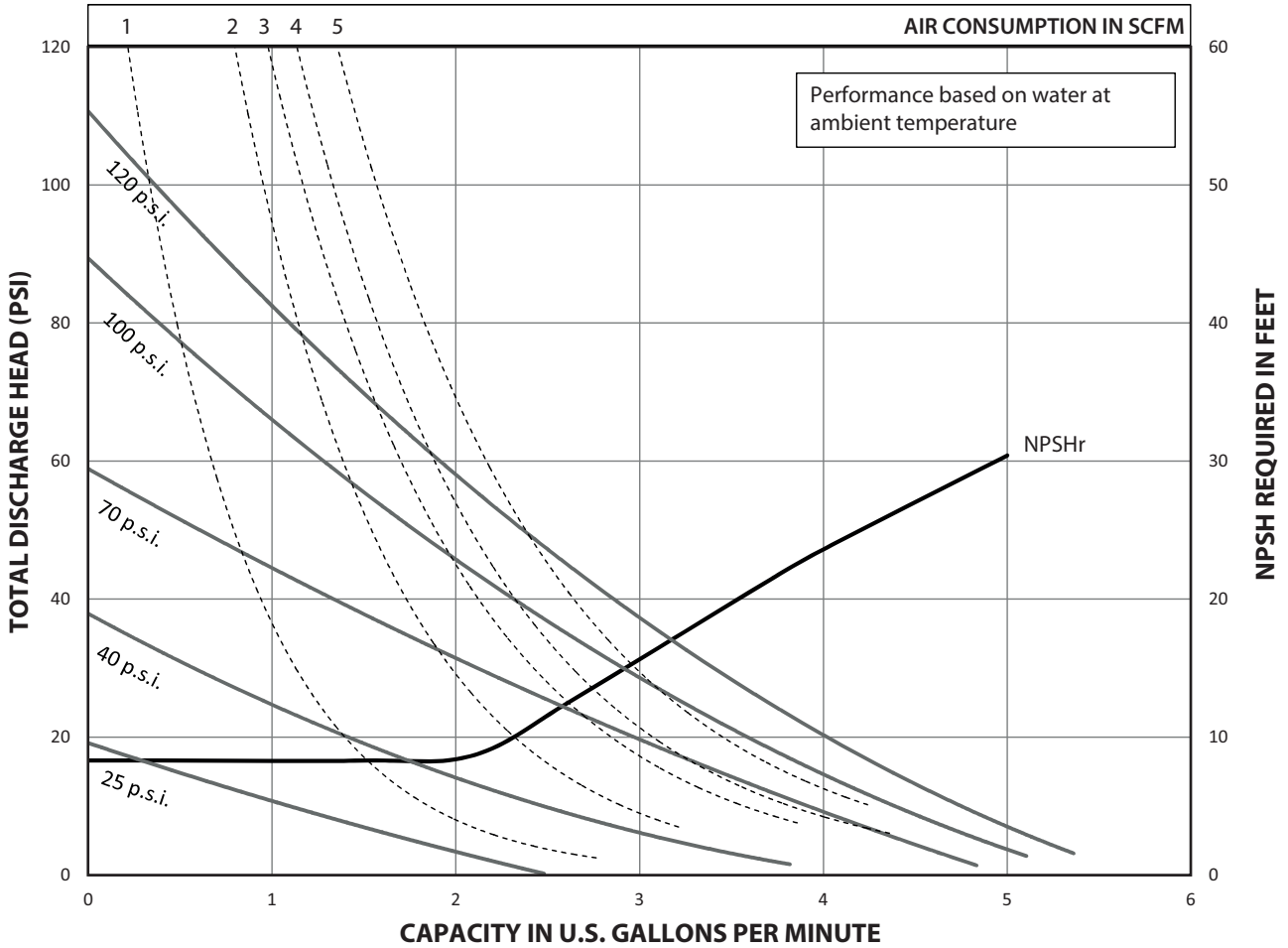
DIMENSIONS

Dimensions shown are for reference only, they are displayed in inches and millimeters (mm).

A - 7.2" (182 mm)	H - 1.9" (48.6 mm)	Q - 1/4 - 18 PTF SAE Short
B - 3.9" (100.0 mm)	J - 2.4" (61 mm)	R - 3/4-14 NPTF
C - 4.6" (117.0 mm)	K - 3.9" (99 mm)	S - 1/4 NPTF / BSPT Hybrid
D - 6.8" (173.0 mm)	L - 2.1" (53 mm)	T - 1/4 NPTF / BSPT Hybrid
E - 0.3" (8.8 mm)	M - 3.2" (81 mm)	U - 3/4-14 NPTF
F - 6.1" (156 mm)	N - 7.2" (184 mm)	V - 1/4 NPTF
G - 0.8" (20.7 mm)	P - 5.6" (142.2 mm)	

PERFORMANCE CURVES

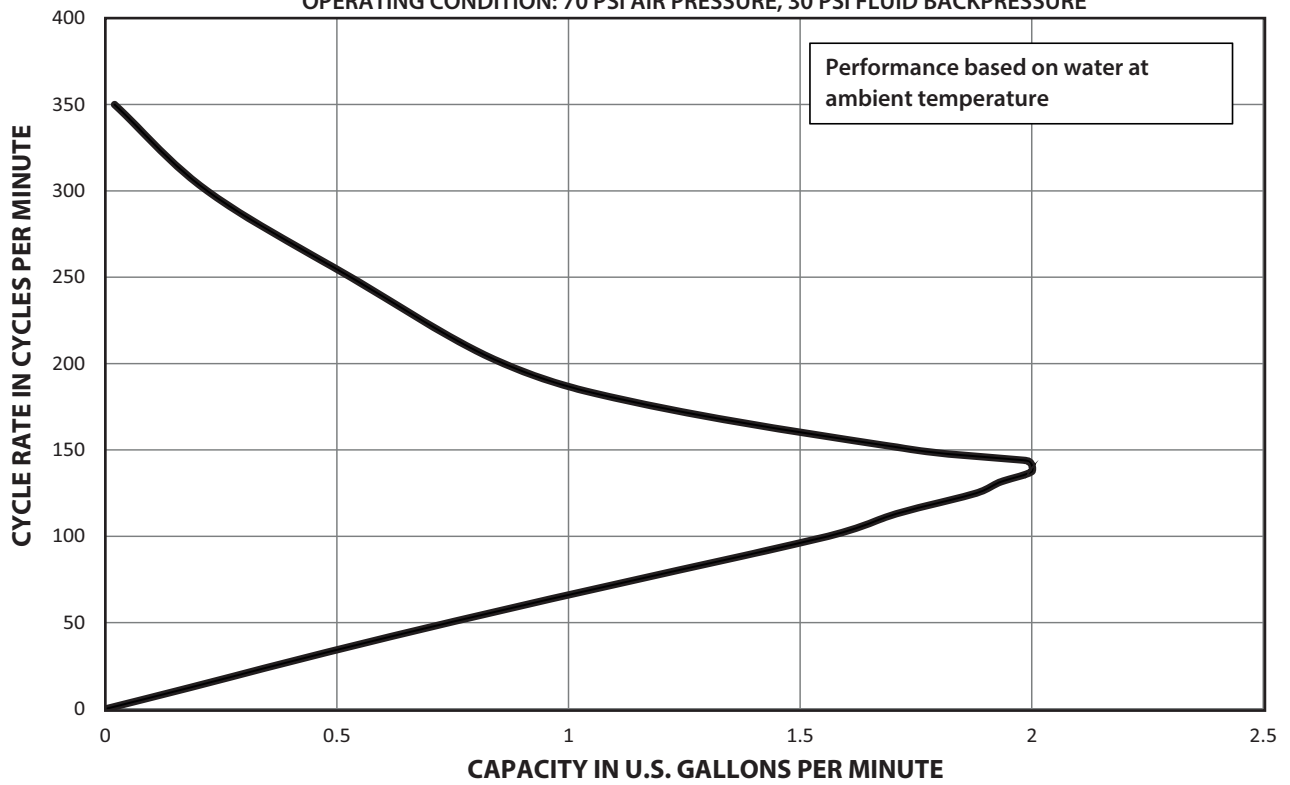
PD01P-XXS-XXX 1/4" NON-METALLIC DIAPHRAGM PUMP



PERFORMANCE CURVES

PE01X-XXX-XXX SOLENOID-CONTROLLED TIME-BASED FLOW RATE

OPERATING CONDITION: 70 PSI AIR PRESSURE, 30 PSI FLUID BACKPRESSURE



OPERATING CONDITION: 4.8 BAR AIR PRESSURE, 2.1 BAR FLUID BACKPRESSURE

