

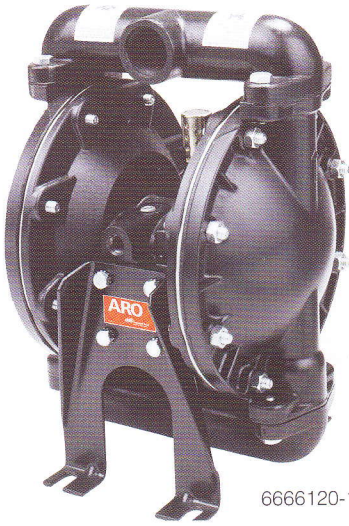


PRO Series

1"
133 l/min

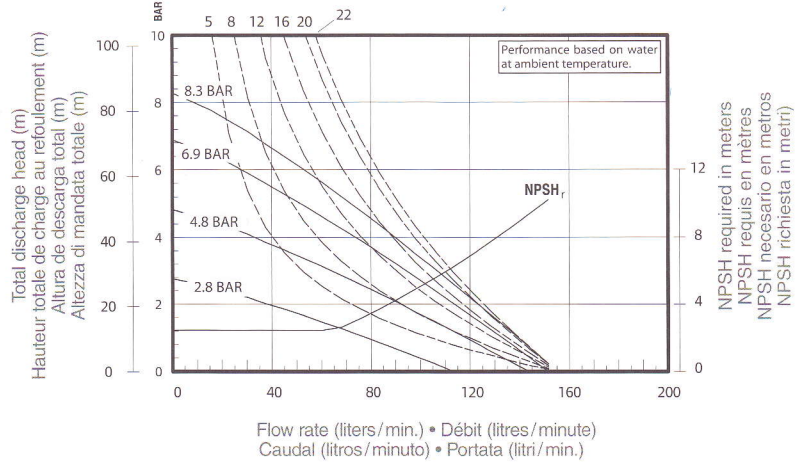
1" Metallic Diaphragm Pump

Pompe métallique à membranes 1"
Bomba metálica de membrana, 1"
Pompa metallica a membrana da 1"



6666120-144-C

Air consumption in liters/sec • Consommation d'air en litres/seconde
Consumo de aire en litros/segundo • Consumo d'aria in litri/sec

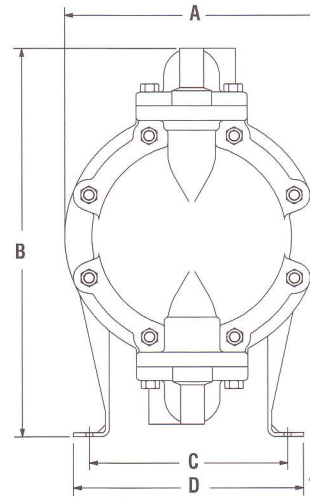


Specifications – Especificaciones – Caratteristiche

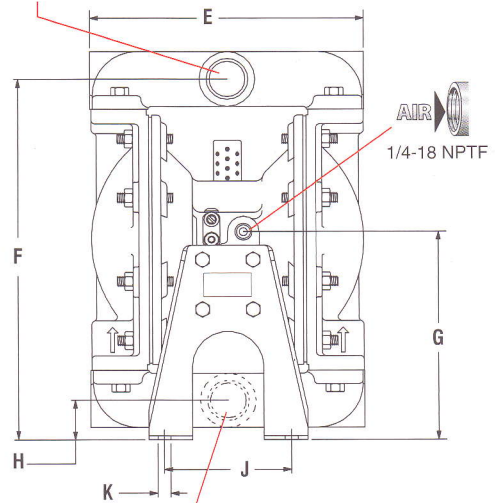
	1:1
1 min. 	133 l/min
	0.60 litre
Max. 	8.3 bar (120 psi)
Max. 	3.2 mm
Max. 	6.10 m
	666100... 8.6 kg (Aluminium)
	666101... 16.3 kg (Stainless steel • Inox • Acero inox. • Acciaio inox)
	666102... 14.1 kg (Cast Iron • Fonte • Hierro fundido • Ghisa)

**Dimensions
Dimensiones
Dimensioni**

A (mm)	203
B	318
C	159
D	186
E	218
F	294
G	165
H	32
J	102
K	11



1 - 11½ NPTF, Models **66610...** **66611...**
Rp 1 (1-11 BSP), Models **66612...** **66613...**



1 - 11½ NPTF, Models **66610...** **66611...**
Rp 1 (1-11 BSP), Models **66612...** **66613...**